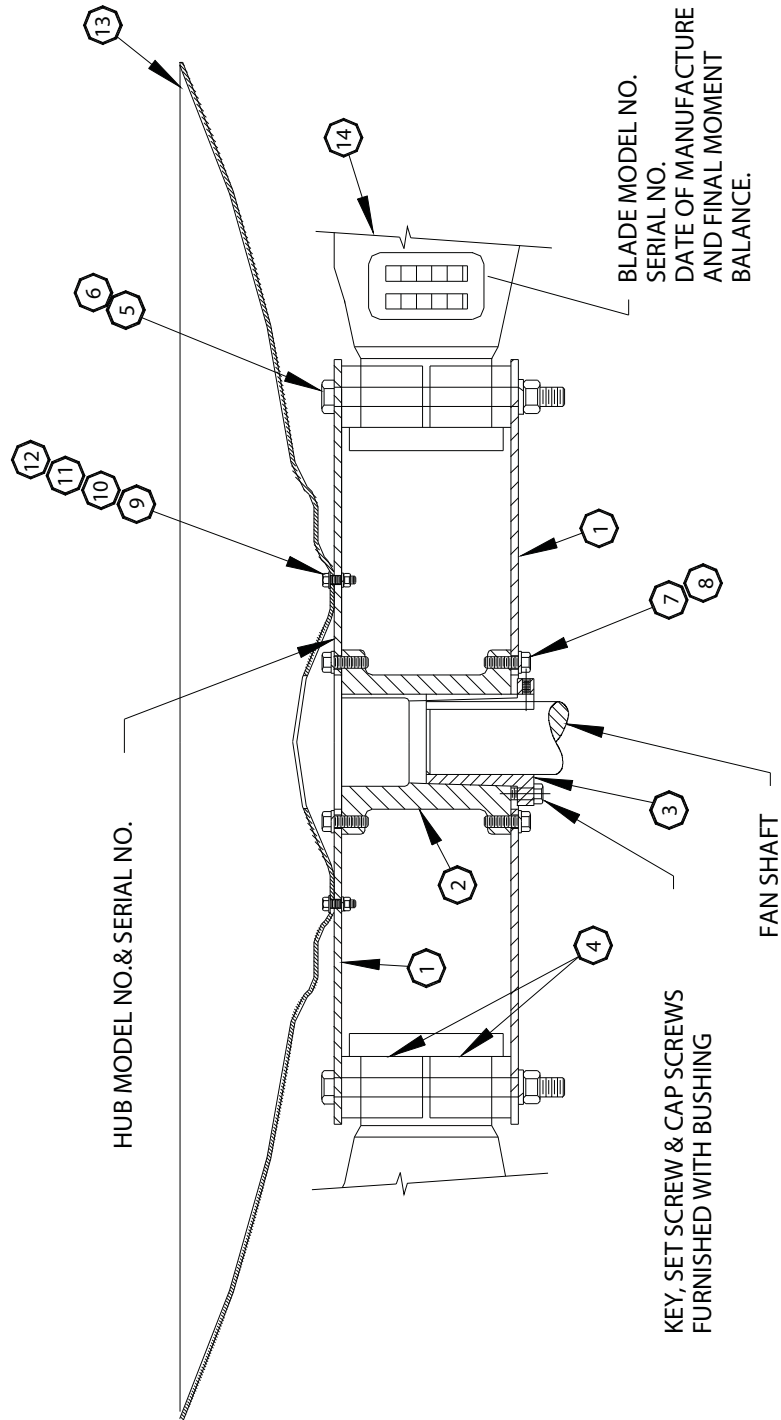


4000 Series Tuf-Lite Fans



PROJECT NAME AND LOCATION:			
MODEL NO.:			
DWG NAME:			
DRAWING NUMBER: A-100	JOB NUMBER:	SHEET 1 of 1	REV: 0
SCALE: NO SCALE	COMMENTS:		

THIS DRAWING IS THE SOLE PROPERTY OF COOLING TOWER DEPOT INC. USE SHALL BE LIMITED TO THE PROJECT FOR WHICH IT IS INTENDED, NO REPRODUCTION SHALL BE MADE NOR SHALL THIS INFORMATION BE MADE AVAILABLE TO THIRD PARTIES WITHOUT THE PRIOR WRITTEN CONSENT BY COOLING TOWER DEPOT INC. ANY AND ALL PROPRIETARY RIGHTS TO THIS INFORMATION AND DESIGN ARE THE SOLE PROPERTY OF COOLING TOWER DEPOT INC.

REVISIONS					
REV.	DESCRIPTION	DESIGNED BY:	CHECKED BY:	APPROVED BY:	DATE:
0					
1					
2					
3					
4					

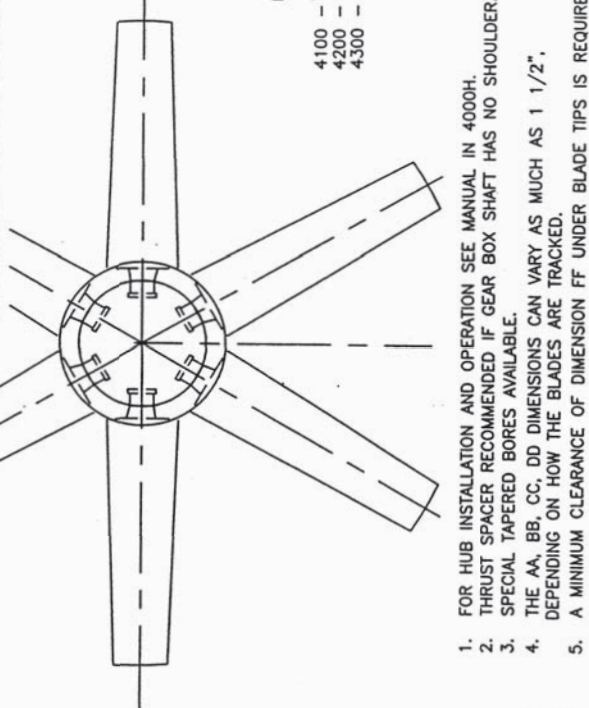
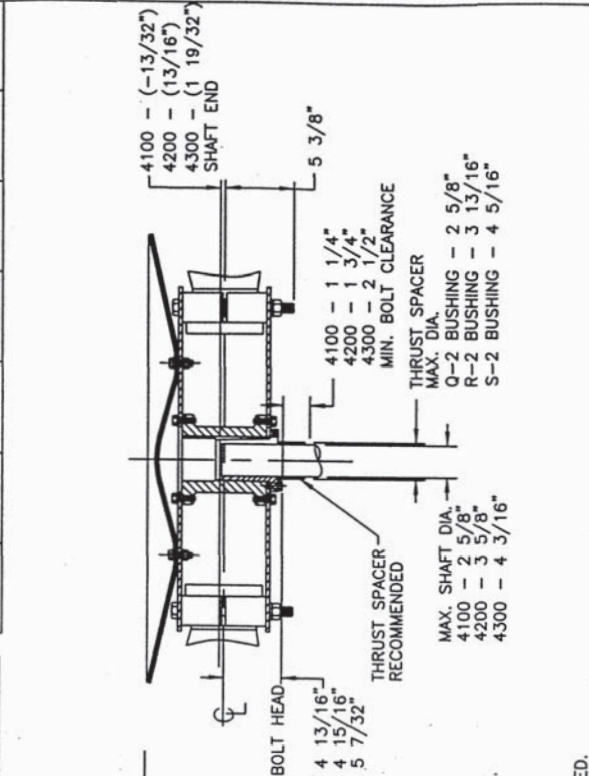
COOLING TOWER DEPOT, INC
CORPORATE CIRCLE
GOLDEN, CO 80401
720-746-1234

JOB NUMBER:	0
SCALE:	NO SCALE
SHEET	1 of 1
DRAWING NUMBER	A-100

4000 Series Tuf-Lite Fans

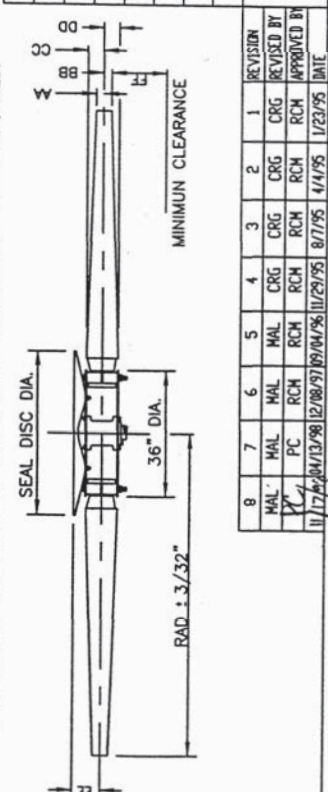
STANDARD DIMENSIONS - MODEL H BLADES				FAN WEIGHTS (LBS)			
FAN DIAMETER (FEET)	15	16	18	20	NO. BLD	MODEL	
SEAL DISC MODEL	81115	81115	81115	81115	4	R-2	15
DISC DIA. (inches)	64	64	64	64	5	H4204	16
DIM. EE (inches)	12.00	12.00	12.00	12.00	6	H4205	18
	AA	4.16	3.88	3.33	7	H4206	20
	BB	3.46	3.23	2.77	8	H4207	
	CC	10.74	10.85	11.05	9	H4208	
	DD	9.63	9.73	9.97	10	H4209	
	FF	6.00	6.00	6.00		H4210	

FAN WEIGHTS (LBS)			
NO. BLD	MODEL		
4	R-2	15	20
5	H4204	521	557
6	H4205	574	619
7	H4206	627	681
8	H4207	680	743
9	H4208	733	805
10	H4209	786	867
	H4210	839	929



- FOR HUB INSTALLATION AND OPERATION SEE MANUAL IN 4000H.
- THRUST SPACER RECOMMENDED IF GEAR BOX SHAFT HAS NO SHOULDER.
- SPECIAL TAPERED BORES AVAILABLE.
- THE AA, BB, CC, DD DIMENSIONS CAN VARY AS MUCH AS 1 1/2", DEPENDING ON HOW THE BLADES ARE TRACKED.
- A MINIMUM CLEARANCE OF DIMENSION FF UNDER BLADE TIPS IS REQUIRED.

ACFM	STATIC PRESS.	IN. WATER
TEMP.	DENSITY RATIO	ALT. FT.
FAN RPM	PITCH ANGLE (APPROX)*	
FAN MODEL	HUB MODEL	
BLADE	BORE	KEYWAY
QTY.		
P.O. NO.	HUDSON JOB NO.	DATE
APPROVED		
HUDSON PRODUCTS CORPORATION HOUSTON, TEXAS CERTIFIED PRINT		
DRAWING NO. CP-4000H		



REVISION	DATE	BY	APPROVED BY
1	1/23/95	CRG	RCH
2	4/14/95	CRG	RCH
3	8/7/95	CRG	RCH
4	11/29/95	CRG	RCH
5	12/08/95	CRG	RCH
6	12/08/95	CRG	RCH
7	11/17/95	PC	Y
8	11/17/95	PC	Y

PROJECT NAME AND LOCATION:
MODEL NO.:
DWG NAME:
DRAWING NUMBER: A-100
JOB NUMBER:
SHEET 1 of 1
REV: 0
SCALE: NO SCALE
COMMENTS:

THIS DRAWING IS THE SOLE PROPERTY OF COOLING TOWER DEPOT INC. USE SHALL BE LIMITED TO THE PROJECT FOR WHICH IT IS INTENDED. NO REPRODUCTION SHALL BE MADE NOR SHALL THIS INFORMATION BE MADE AVAILABLE TO THIRD PARTIES WITHOUT THE PRIOR WRITTEN CONSENT BY COOLING TOWER DEPOT INC. ANY AND ALL PROPRIETARY RIGHTS TO THIS INFORMATION AND DESIGN ARE THE SOLE PROPERTY OF COOLING TOWER DEPOT INC.

REV.	DESCRIPTION	DESIGNED BY:	CHECKED BY:	APPROVED BY:	DATE:
0					
1					
2					
3					
4					

COOLING TOWER DEPOT, INC
CORPORATE CIRCLE
GOLDEN, CO 80401
720-746-1234

JOB NUMBER:
SCALE: NO SCALE
SHEET 1 of 1
A-100